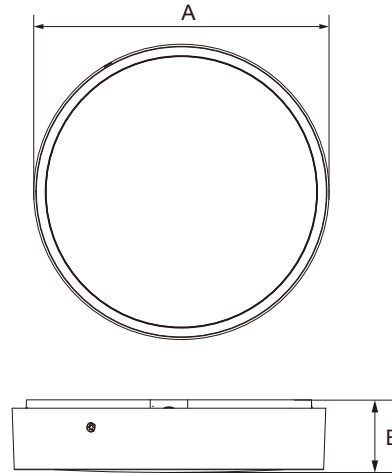


PARI2001BE

Paris 25W 2500LM Dual CCT IK10 IP65 Anthracite LED Emergency Bulkhead



General Details

Finish	Anthracite Polycarbonate Body & Clear Polycarbonate Diffuser
Product Weight	2.7kg
Overall Dimensions	A 352mm X B 67.5mm
Bar Coding	Saturn LED coding in accordance with EAN-12 & ITF-14
IP Rating	IP65
Energy Rating	A* - (Very Low Energy)
Emergency	3 hour - see www.saturnled.eu/warranty for more info

Light Source

Wattage & Lumens	25W - 2500LM - 100 lm/W
Colour Temperature	3000K/4000K
CRI Ra	Ra > 80
Lifespan	50,000 Hours
Lamp Working Temperature	<50°C
Beam Angle	115° & 95° & 95°



Electrical

Voltage	220-240V. 50 / 60Hz. AC.
Running Current (I)	110mA
Total Running Wattage (W)	25W
Electrical Classification	Class II
Power Factor Correction (PFC)	0.9
Cabling Electrical Connections	Screw fix in terminal block
LED Driver	Tridonic

Installation

Method of Fix	Surface mounted on a suitable substrate.
Recommended Working Temperature	Minimum Temp -10°C to Maximum Temp + 40°C
Instruction Sheet	Supplied with product

Origin & Markets

Country of Manufacture	Designed & tested in Europe - Manufactured in China
Intended Market	Europe, Middle East & Australia 220 - 240Volt

Materials

Main Housing Material	Polycarbonate
Fixings Main Housing	Zinc plated screws (Internal)
Front Shield	Polycarbonate Opal Diffuser

Approvals

Warranty	5 Year Warranty - For more information go to www.saturnled.eu/warranty
Marks & Symbols	CE -- SELV -- RoHS -- EMC -- WEEE
Quality Assurance System	SaturnLED quality assurance to ISO9001:2008
Manufactured in Accordance to	British Standard - BS EN 60598 - 2 - 1

