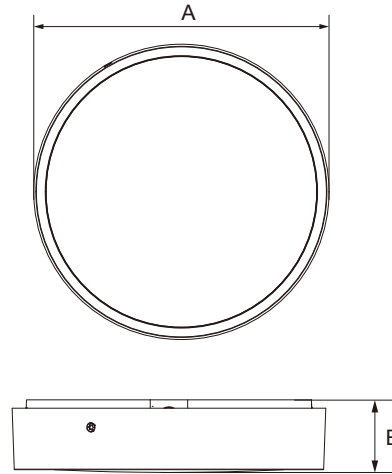


## PARI1001WE

Paris 15W 1500LM Dual CCT IK10 IP65 White LED Emergency Bulkhead



### General Details

<b>Finish</b>	White Polycarbonate Body & Clear Polycarbonate Diffuser
<b>Product Weight</b>	2.2kg
<b>Overall Dimensions</b>	A 302mm X B 67.5mm
<b>Bar Coding</b>	Saturn LED coding in accordance with EAN-12 & ITF-14
<b>IP Rating</b>	IP65
<b>Energy Rating</b>	A* - (Very Low Energy)
<b>Emergency</b>	3 hour - see <a href="http://www.saturnled.eu/warranty">www.saturnled.eu/warranty</a> for more info

### Light Source

<b>Wattage &amp; Lumens</b>	15W - 1500LM - 100 lm/W
<b>Colour Temperature</b>	3000K/4000K
<b>CRI Ra</b>	Ra > 80
<b>Lifespan</b>	50,000 Hours
<b>Lamp Working Temperature</b>	<50°C
<b>Beam Angle</b>	115° & 95° & 95°



## Electrical

Voltage	220-240V. 50 / 60Hz. AC.
---------	--------------------------

Running Current (I)	110mA
---------------------	-------

Total Running Wattage (W)	15W
---------------------------	-----

Electrical Classification	Class II
---------------------------	----------

Power Factor Correction (PFC)	0.9
-------------------------------	-----

Cabling Electrical Connections	Screw fix in terminal block
--------------------------------	-----------------------------

LED Driver	Tridonic
------------	----------

## Installation

Method of Fix	Surface mounted on a suitable substrate.
---------------	--

Recommended Working Temperature	Minimum Temp -10°C to Maximum Temp + 40°C
---------------------------------	---

Instruction Sheet	Supplied with product
-------------------	-----------------------

## Origin & Markets

Country of Manufacture	Designed & tested in Europe - Manufactured in China
------------------------	---

Intended Market	Europe, Middle East & Australia 220 - 240Volt
-----------------	---

## Materials

Main Housing Material	Polycarbonate
-----------------------	---------------

Fixings Main Housing	Zinc plated screws (Internal)
----------------------	-------------------------------

Front Shield	Polycarbonate Opal Diffuser
--------------	-----------------------------

## Approvals

Warranty	5 Year Warranty - For more information go to <a href="http://www.saturnled.eu/warranty">www.saturnled.eu/warranty</a>
----------	---

Marks & Symbols	CE -- SELV -- RoHS -- EMC -- WEEE
-----------------	-----------------------------------

Quality Assurance System	SaturnLED quality assurance to ISO9001:2008
--------------------------	---

Manufactured in Accordance to	British Standard - BS EN 60598 - 2 - 1
-------------------------------	--

