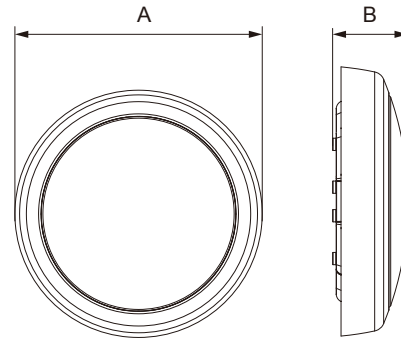


## OXO1001B

OXO 14W 1400LM Dual CCT IP65 Anthracite LED Bulkhead



### General Details

<b>Finish</b>	Anthracite Polycarbonate Body & Clear Polycarbonate Diffuser
<b>Product Weight</b>	1.0kg
<b>Overall Dimensions</b>	A 320mm X B 90mm
<b>Bar Coding</b>	Saturn LED coding in accordance with EAN-12 & ITF-14
<b>IP Rating</b>	IP65
<b>Energy Rating</b>	A* - (Very Low Energy)

### Light Source

<b>Wattage &amp; Lumens</b>	14W - 1400LM - 100 lm/W
<b>Colour Temperature</b>	3000K/4000K
<b>CRI Ra</b>	Ra > 80
<b>Lifespan</b>	50,000 Hours
<b>Lamp Working Temperature</b>	<50°C
<b>Beam Angle</b>	90°



## Electrical

Voltage	220-240V. 50 / 60Hz. AC.
Running Current (I)	110mA
Total Running Wattage (W)	14W
Electrical Classification	Class II
Power Factor Correction (PFC)	0.9
Cabling Electrical Connections	Screw fix in terminal block
LED Driver	Tridonic

## Installation

Method of Fix	Surface mounted on a suitable substrate.
Recommended Working Temperature	Minimum Temp -10°C to Maximum Temp + 40°C
Instruction Sheet	Supplied with product

## Origin & Markets

Country of Manufacture	Designed & tested in Europe - Manufactured in China
Intended Market	Europe, Middle East & Australia 220 - 240Volt

## Materials

Main Housing Material	Polycarbonate
Fixings Main Housing	Zinc plated screws (Internal)
Front Shield	Polycarbonate Opal Diffuser

## Approvals

Warranty	5 Year Warranty - For more information go to <a href="http://www.saturnled.eu/warranty">www.saturnled.eu/warranty</a>
Marks & Symbols	CE -- SELV -- RoHS -- EMC -- WEEE
Quality Assurance System	SaturnLED quality assurance to ISO9001:2008
Manufactured in Accordance to	British Standard - BS EN 60598 - 2 - 1

