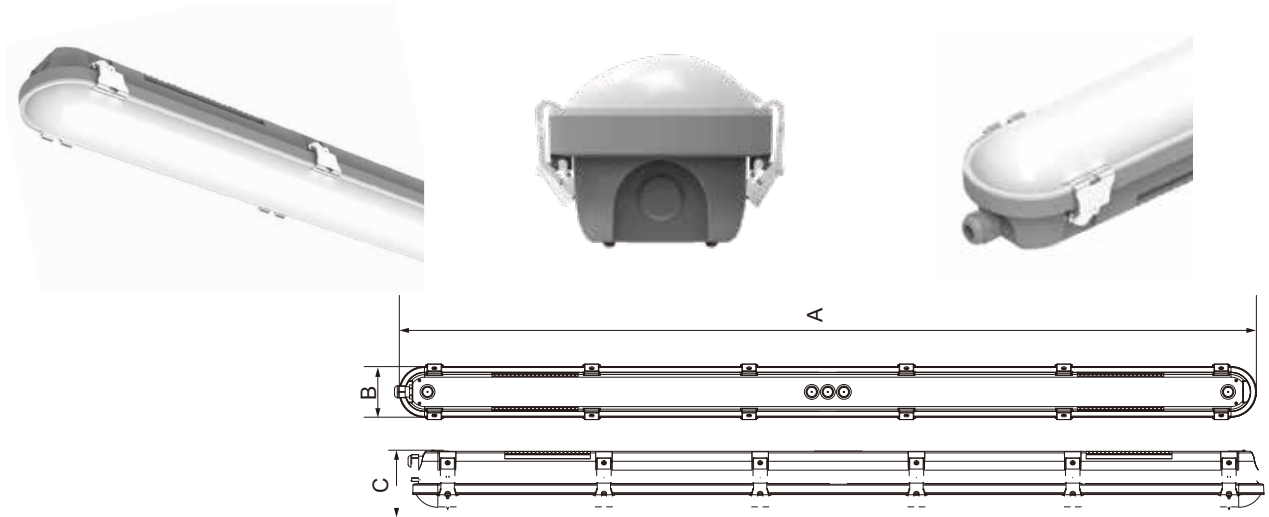


DETR1001E

Detroit 19W 2400LM 1500mm 400K IP65 LED Emergency Corrosion Proof Batten



General Details

| | |
|---------------------------|---|
| Finish | Polycarbonate Body & Polycarbonate Opal Diffuser |
| Product Weight | 5.0kg |
| Overall Dimensions | A 1190mm X B 73mm x C 75mm |
| Bar Coding | Saturn LED coding in accordance with EAN-12 & ITF-14 |
| IP Rating | IP65 |
| Energy Rating | A* - (Very Low Energy) |
| Emergency | 3 hour - see www.saturnled.eu/warranty for more info |

Light Source

| | |
|---------------------------------|-------------------------|
| Wattage & Lumens | 19W - 2400LM - 126 lm/W |
| Colour Temperature | 4000K |
| CRI Ra | Ra > 80 |
| Lifespan | 30,000 Hours |
| Lamp Working Temperature | <50°C |
| Beam Angle | 45° |



Electrical

| | |
|---------|--------------------------|
| Voltage | 220-240V. 50 / 60Hz. AC. |
|---------|--------------------------|

| | |
|---------------------|-------|
| Running Current (I) | 110mA |
|---------------------|-------|

| | |
|---------------------------|----|
| Total Running Wattage (W) | 19 |
|---------------------------|----|

| | |
|---------------------------|----------|
| Electrical Classification | Class II |
|---------------------------|----------|

| | |
|-------------------------------|-----|
| Power Factor Correction (PFC) | 0.9 |
|-------------------------------|-----|

| | |
|--------------------------------|-----------------------------|
| Cabling Electrical Connections | Screw fix in terminal block |
|--------------------------------|-----------------------------|

| | |
|------------|----------|
| LED Driver | Tridonic |
|------------|----------|

Installation

| | |
|---------------|--|
| Method of Fix | Surface mounted on a suitable substrate. |
|---------------|--|

| | |
|---------------------------------|---|
| Recommended Working Temperature | Minimum Temp -10°C to Maximum Temp + 40°C |
|---------------------------------|---|

| | |
|-------------------|-----------------------|
| Instruction Sheet | Supplied with product |
|-------------------|-----------------------|

Origin & Markets

| | |
|------------------------|---|
| Country of Manufacture | Designed & tested in Europe - Manufactured in China |
|------------------------|---|

| | |
|-----------------|---|
| Intended Market | Europe, Middle East & Australia 220 - 240Volt |
|-----------------|---|

Materials

| | |
|-----------------------|--|
| Main Housing Material | Polycarbonate Cover, Acrylic Base, Stainless Steel Clips |
|-----------------------|--|

| | |
|----------------------|-------------------------------|
| Fixings Main Housing | Zinc plated screws (Internal) |
|----------------------|-------------------------------|

| | |
|--------------|-----------------------------|
| Front Shield | Polycarbonate Opal Diffuser |
|--------------|-----------------------------|

Approvals

| | |
|----------|---|
| Warranty | 3 Year Warranty - For more information go to www.saturnled.eu/warranty |
|----------|---|

| | |
|-----------------|-----------------------------------|
| Marks & Symbols | CE -- SELV -- RoHS -- EMC -- WEEE |
|-----------------|-----------------------------------|

| | |
|--------------------------|---|
| Quality Assurance System | SaturnLED quality assurance to ISO9001:2008 |
|--------------------------|---|

| | |
|-------------------------------|--|
| Manufactured in Accordance to | British Standard - BS EN 60598 - 2 - 1 |
|-------------------------------|--|

