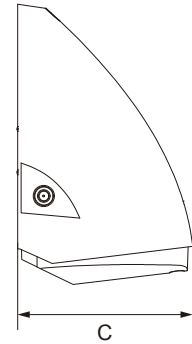
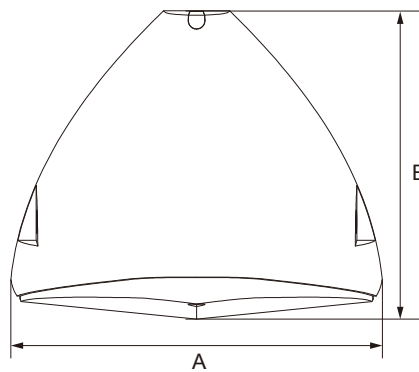


ALAS2001E

Alaska Tri-Output/Tri-CCT IP65 IK10 White Exterior Emergency Wall Pack



General Details

Finish	White Polycarbonate Body & Polycarbonate Diffuser
Product Weight	2.85kg
Overall Dimensions	A 319mm X B 165mm x C 265mm
Bar Coding	Saturn LED coding in accordance with EAN-12 & ITF-14
IP Rating	IP65
Energy Rating	A* - (Very Low Energy)
Emergency	3 hour - see www.saturnled.eu/warranty for more info

Light Source

Wattage & Lumens	13W-1700LM / 18W-2500LM / 28W-3500LM
Colour Temperature	3000K/4000K
CRI Ra	Ra > 80
Lifespan	50,000 Hours
Lamp Working Temperature	<50°C
Beam Angle	90°



Electrical

Voltage	220-240V. 50 / 60Hz. AC.
Running Current (I)	110mA
Total Running Wattage (W)	13W/18W/28W
Electrical Classification	Class II
Power Factor Correction (PFC)	0.9
Cabling Electrical Connections	Screw fix in terminal block - Suitable for rear & side conduit entry
LED Driver	Tridonic

Installation

Method of Fix	Surface mounted on a suitable substrate.
Recommended Working Temperature	Minimum Temp -10°C to Maximum Temp + 40°C
Instruction Sheet	Supplied with product

Origin & Markets

Country of Manufacture	Designed & tested in Europe - Manufactured in China
Intended Market	Europe, Middle East & Australia 220 - 240Volt

Materials

Main Housing Material	Polycarbonate
Fixings Main Housing	Zinc plated screws (Internal)
Front Shield	Polycarbonate Opal Diffuser

Approvals

Warranty	5 Year Warranty - For more information go to www.saturnled.eu/warranty
Marks & Symbols	CE -- SELV -- RoHS -- EMC -- WEEE
Quality Assurance System	SaturnLED quality assurance to ISO9001:2008
Manufactured in Accordance to	British Standard - BS EN 60598 - 2 - 1

