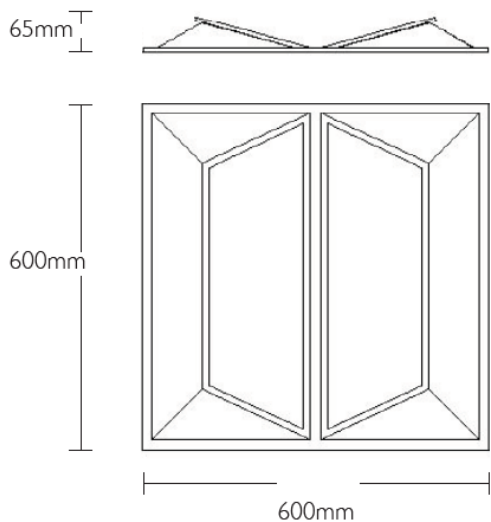


BLAD1001

Blade 34W 4000K IP20 600x600mm LED Panel



General Details

Finish	Steel Frame With PC diffuser
Product Weight	4.0kg
Overall Dimensions	595mm X 595mm X 65mm
Carton Weight / Material	4.75 kg / Cardboard
Packaging & Labelling Guidelines	Saturn LED.eu - Generic labelling
Bar Coding	Saturn LED coding in accordance with EAN-12 & ITF-14
IP Rating	IP20
Energy Rating	A* - (Very Low Energy)

Light Source

Rated Wattage	34W
Lumens	2882
Lumens Per Watt	83
Recommended Product Location	Indoor Commercial Lighting
Light Source Brand	Manson 2835 SMD LED Chips
Colour Temperature	4000K
CRI Ra	Ra > 80
Lifespan	50,000 Hours
Lamp Working Temperature	<50°C
Beam Angle	130°
Photometric Data	Visit www.saturnled.eu for full Photometric files
Lamp Code	LED

Electrical

Voltage	220-240V. 50 / 60Hz. AC.
Electrical Classification	Class I
Cabling Electrical Connections	Screw fix in terminal block

Installation

Distance from Illuminated Object	0.5m
Method of Fix	Lay In Ceiling Grid / Suitable Surface Mounting Kit
Recommended Working Temperature	Minimum Temp -10°C to Maximum Temp + 40°C
Instruction Sheet	Supplied with product

Origin & Markets

Country of Manufacture Designed & tested in Europe - Manufactured in China

Intended Market Europe, Middle East & Australia 220 - 240Volt

Materials

Main Housing Material Steel frame with PC diffuser

Fixings Main Housing Steel screws

Front Shield Frosted PC diffuser

Approvals

Warranty 5 Year Warranty - For more information go to www.saturnled.eu/warranty

Marks & Symbols CE -- SELV -- RoHS -- EMC -- WEEE

Quality Assurance System SaturnLED quality assurance to ISO9001:2008

Certificate of Conformity Available on request - technical@saturnled.eu

Manufactured in Accordance to British Standard - BS EN 60598 - 2 - 1

Datasheet generated from <http://www.electrika.com> last updated Wednesday, February 21, 2018 10:32:07 AM