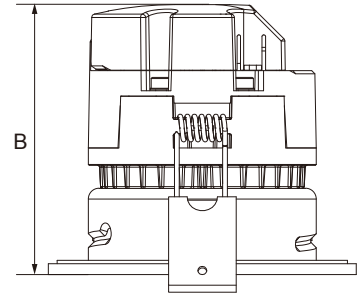
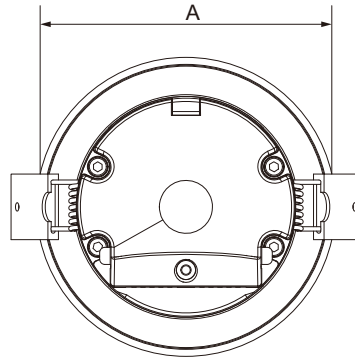


## AXIS1001

Axis 6W Tri-CCT IP65 Circular LED Fire-Rated Downlight



### General Details

<b>Finish</b>	Matt White Trim & Die-cast Body
<b>Product Weight</b>	0.50kg
<b>Overall Dimensions</b>	A 90mm X B 80mm - Cutout 72mm
<b>Bar Coding</b>	Saturn LED coding in accordance with EAN-12 & ITF-14
<b>IP Rating</b>	IP65
<b>Energy Rating</b>	A* - (Very Low Energy)

### Light Source

<b>Wattage &amp; Lumens</b>	6W - 550LM - 92 lm/W
<b>Colour Temperature</b>	3000K/4000K/5000K - Dip Switchable
<b>CRI Ra</b>	Ra > 80
<b>Lifespan</b>	50,000 Hours
<b>Lamp Working Temperature</b>	<50°C
<b>Beam Angle</b>	38°



## Electrical

Voltage	220-240V. 50 / 60Hz. AC.
---------	--------------------------

Running Current (I)	0.04A
---------------------	-------

Total Running Wattage (W)	6W
---------------------------	----

Electrical Classification	Class II
---------------------------	----------

Power Factor Correction (PFC)	> 0.7
-------------------------------	-------

Cabling Electrical Connections	Screw fix in terminal block
--------------------------------	-----------------------------

LED Driver	Tridonic
------------	----------

## Installation

Method of Fix	Recessed into a standard ceiling or ceiling tile
---------------	--

Recommended Working Temperature	Minimum Temp -10°C to Maximum Temp + 40°C
---------------------------------	---

Instruction Sheet	Supplied with product
-------------------	-----------------------

## Origin & Markets

Country of Manufacture	Designed & tested in Europe - Manufactured in China
------------------------	---

Intended Market	Europe, Middle East & Australia 220 - 240Volt
-----------------	---

## Materials

Main Housing Material	Polycarbonate Trim & Diffuser, Die-cast aluminium Body
-----------------------	--

Fixings Main Housing	Spring Clips Provided
----------------------	-----------------------

Front Shield	Clear Polycarbonate Diffuser
--------------	------------------------------

## Approvals

Warranty	5 Year Warranty - For more information go to <a href="http://www.saturnled.eu/warranty">www.saturnled.eu/warranty</a>
----------	---

Marks & Symbols	CE -- SELV -- RoHS -- EMC -- WEEE
-----------------	-----------------------------------

Quality Assurance System	SaturnLED quality assurance to ISO9001:2008
--------------------------	---

Manufactured in Accordance to	British Standard - BS EN 60598 - 2 - 1
-------------------------------	--

