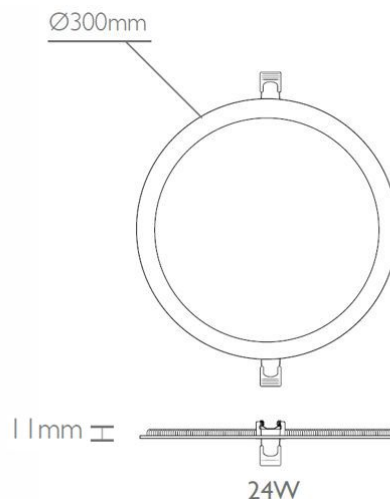
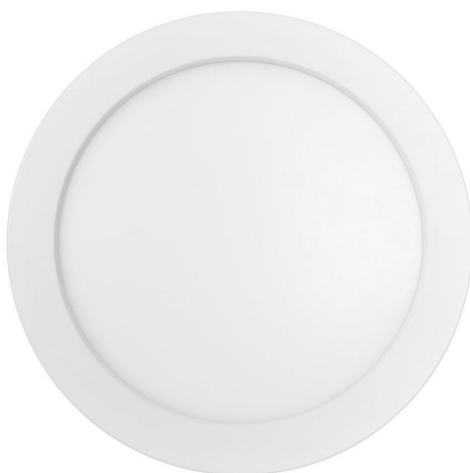


RUBY24W4K

Ruby 24W 4000K IP20 Slimline Downlight



General Details

Finish	Matte White Finish
Product Weight	1.25KG
Overall Dimensions	ø300mm x 11mm / Cut Out ø290
Carton Weight / Material	1.50 kg / Cardboard
Packaging Sizes / Packed Weight	Length 320mm, Height 90mm, Width 320mm
Packaging & Labelling Guidelines	Saturn LED.eu - Generic labelling
Bar Coding	Saturn LED coding in accordance with EAN-12 & ITF-14
IP Rating	IP20
Energy Rating	A* - (Very Low Energy)

Light Source

Rated Wattage	24W
Lumens	2160
Lumens Per Watt	80
Recommended Product Location	Interior - Stairwell / Office Lighting
Light Source Brand	Epistar LED Chips
Colour Temperature	4000K
CRI Ra	Ra > 80
Lifespan	50,000 Hours
Lamp Working Temperature	<50°C
Beam Angle	110°
Photometric Data	Visit www.saturnled.eu for full Photometric files
Lamp Code	N/A

Electrical

Voltage	220-240V. 50 / 60Hz. AC.
Charge Current (I)	0.15A
Electrical Classification	Class II. (Double Insulated LED Driver). SELV
Cabling Electrical Connections	Screw fix in terminal block
LED Driver	Pri.220-240VAC/Sec:350mA Max DC26V

Installation

Distance from Illuminated Object	0.5m
Method of Fix	Ceiling Recessed
Recommended Working Temperature	Minimum Temp -10°C to Maximum Temp + 40°C
Instruction Sheet	Supplied with product

Origin & Markets

Country of Manufacture Designed & tested in Europe - Manufactured in China

Intended Market Europe, Middle East & Australia 220 - 240Volt

Materials

Main Housing Material Die Cast Aluminium Powder Coated Body

Fixings Main Housing Steel screws

Front Shield Frosted PC diffuser

Approvals

Warranty 3 Year Warranty - For more information go to www.saturnled.eu/warranty

Marks & Symbols CE -- SELV -- RoHS -- EMC -- WEEE

Quality Assurance System SaturnLED quality assurance to ISO9001:2008

Certificate of Conformity Available on request - technical@saturnled.eu

Manufactured in Accordance to British Standard - BS EN 60598 - 2 - 1

Datasheet generated from <http://www.electrika.com> last updated Wednesday, February 21, 2018 10:31:58 AM