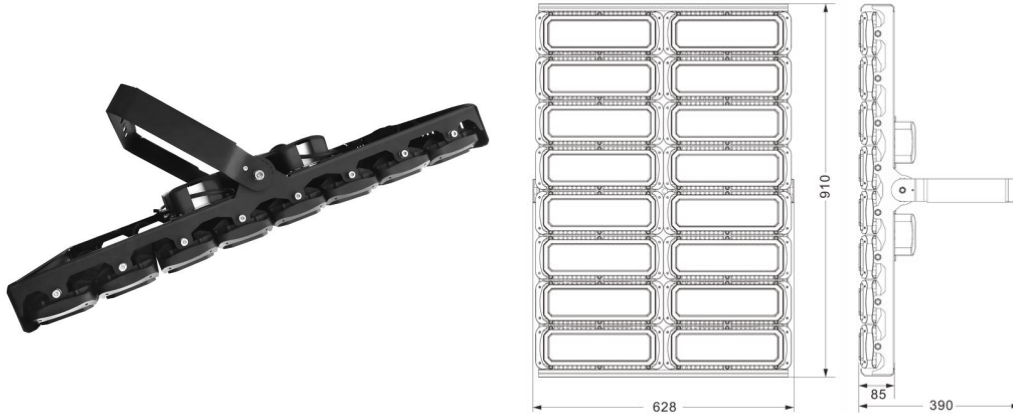


## HERC1200

Hercules 1200W 5000K IP65 LED Modular Stadium Floodlight



### General Details

<b>Finish</b>	Black Die Cast Aluminium with Polycarbonate Diffuser
<b>Product Weight</b>	38.25KG
<b>Overall Dimensions</b>	628mm x 910mm x 85mm **EXC BRACKET
<b>Carton Weight / Material</b>	no stock
<b>Packaging &amp; Labelling Guidelines</b>	Saturn LED.eu - Generic labelling
<b>Bar Coding</b>	Saturn LED coding in accordance with EAN-12 & ITF-14
<b>IP Rating</b>	IP65
<b>IK Rating</b>	IK10
<b>Energy Rating</b>	A* - (Very Low Energy)



## Light Source

Rated Wattage	1200W
Lumens	148000
Lumens Per Watt	123
Recommended Product Location	Sport Stadiums / Astro and Outdoor Pitches
Light Source Brand	Cree LED Chips
Colour Temperature	5000K
CRI Ra	Ra > 80
Lifespan	50,000 Hours
Lamp Working Temperature	<50°C
Beam Angle	110° or 130°x60° asymmetric
Photometric Data	Visit <a href="http://www.saturnled.eu">www.saturnled.eu</a> for full Photometric files
Lamp Code	N/A

## Electrical

Voltage	220-240V. 50 / 60Hz. AC.
Electrical Classification	Class I
Cabling Electrical Connections	Screw fix in terminal block

## Installation

Distance from Illuminated Object	0.5m
Method of Fix	Pole or Wall Mounting
Recommended Working Temperature	Minimum Temp -10°C to Maximum Temp + 40°C
Instruction Sheet	Supplied with product



## Origin & Markets

---

**Country of Manufacture** Designed & tested in Europe - Manufactured in China

---

**Intended Market** Europe, Middle East & Australia 220 - 240Volt

---

## Materials

---

**Main Housing Material** Die Cast Aluminium Black Powder Coated Housing : Poly Carbonate Lens

---

**Front Shield** Toughened Glass / Polycarbonate

---

## Approvals

---

**Warranty** 5 Year Warranty - For more information go to [www.saturnled.eu/warranty](http://www.saturnled.eu/warranty)

---

**Marks & Symbols** CE -- SELV -- RoHS -- EMC -- WEEE

---

**Quality Assurance System** SaturnLED quality assurance to ISO9001:2008

---

**Certificate of Conformity** Available on request - [technical@saturnled.eu](mailto:technical@saturnled.eu)

---

**Manufactured in Accordance to** British Standard - BS EN 60598 - 2 - 1

---



**SATURNLED**<sup>®</sup>

Simplified

