



# JACOB

## BULKHEADS

A decorative surface fitting suitable for indoor corridor & stairwell applications

### Key Features

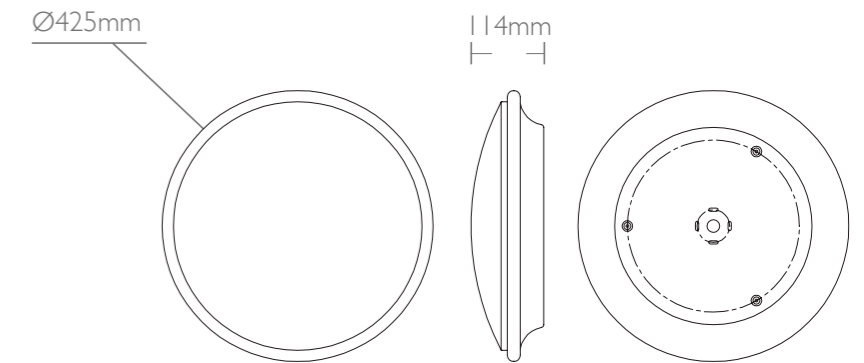
- 30,000 hour lifespan (LED)
- IP20 bulkhead
- Aluminium base
- Polycarbonate diffuser
- Emergency and microwave sensor available

**5** FIVE YEAR WARRANTY

IP 20

MICROWAVE SENSOR AVAILABLE

EMERGENCY AVAILABLE



PRODUCT CODE		DESCRIPTION			
--------------	--	-------------	--	--	--

		LUMEN OUTPUT	LUMEN/WATT	COLOUR TEMP	IP RATING
JACOB22W	JACOB 22W 2200LM METALBASE POLYCARBONATE	2200	100	4K	IP20

**/EM3** ADD **/EM3** TO THE END OF ANY PRODUCT CODES FOR EMERGENCY  
**/MWS** ADD **/MWS** TO THE END OF ANY PRODUCT CODES FOR MICROWAVE SENSOR

Powered by **TRIDONIC**