



PHO IP65

PHOENIX

EMERGENCY LIGHTING TWIN SPOTS

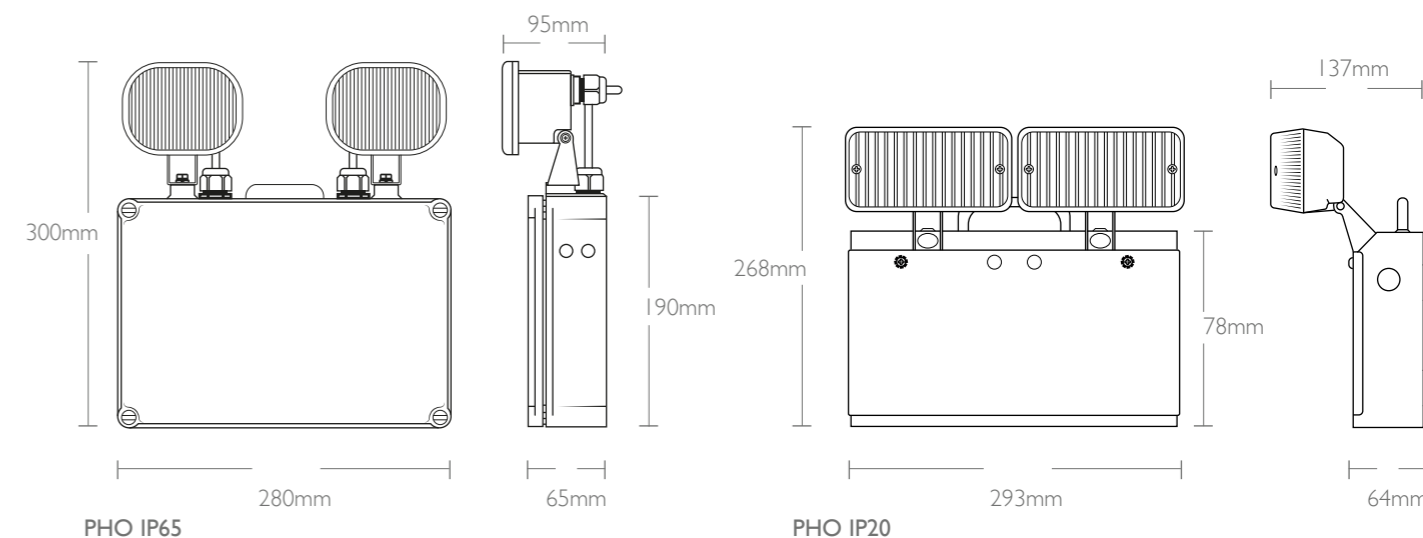
The emergency twin spot range is ideal for commercial, industrial and recreational installations.

Key Features

- IP65 and IP20 available
- Adjustable polycarbonate heads
- IP65 version has polycarbonate body
- IP20 version has steel body
- Ni-Cd battery
- 3-hour emergency duration



PHO IP20



PRODUCT CODE

DESCRIPTION

		LUMEN OUTPUT	LUMEN/WATT	COLOUR TEMP	IP RATING
PHO/IP65TS	PHOENIX IP65 2X7W LED TWIN SPOT POLYCARBONATE	350x2	50	6K	IP65
PHO/IP20TS	PHOENIX IP20 2X7W LED TWIN SPOT ALUMINIUM	350x2	50	6K	IP20

