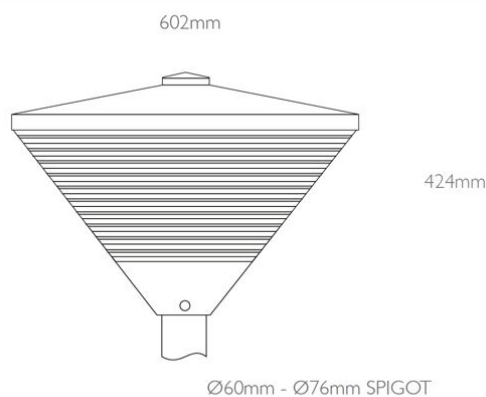


SPHERE3800

Sphere 50W 4000K IP66 LED Street Light



General Details

Finish	High Grade Aluminium c/w Toughened Glass
Product Weight	7.5kg
Overall Dimensions	680mm X 480mm
Carton Weight / Material	no stock
Packaging & Labelling Guidelines	Saturn LED.eu - Generic labelling
Bar Coding	Saturn LED coding in accordance with EAN-12 & ITF-14
IP Rating	IP66
IK Rating	IK09
Energy Rating	A* - (Very Low Energy)

Light Source

Rated Wattage	50W
Lumens	3800
Lumens Per Watt	80
Recommended Product Location	Exterior - Carpark / Highway Lighting
Light Source Brand	CREE LED Chips
Colour Temperature	4000K
CRI Ra	Ra > 70
Lifespan	50,000 Hours
Lamp Working Temperature	<50°C
Beam Angle	360°x 60° asymmetric
Photometric Data	Visit www.saturnled.eu for full Photometric files
Lamp Code	N/A

Electrical

Voltage	220-240V. 50 / 60Hz. AC.
Running Current (I)	1.2
Total Running Wattage (W)	50
Electrical Classification	Class I
Power Factor Correction (PFC)	>0.93
Cabling Electrical Connections	Screw fix in terminal block
LED Driver	220-240V. 50 / 60Hz. AC.

Installation

Distance from Illuminated Object	0.5m
Method of Fix	Pole or Wall Mounting with suitable spigot
Recommended Working Temperature	Minimum Temp -10°C to Maximum Temp + 40°C
Instruction Sheet	Supplied with product

Origin & Markets

Country of Manufacture	Designed & tested in Europe - Manufactured in China
Intended Market	Europe, Middle East & Australia 220 - 240Volt

Materials

Main Housing Material	Anodised Black Die Cast Aluminium: Poly Carbonate Diffuser
Front Shield	Polycarbonate Diffuser

Approvals

Warranty	5 Year Warranty - For more information go to www.saturnled.eu/warranty
Marks & Symbols	CE -- SELV -- RoHS -- EMC -- WEEE
Quality Assurance System	SaturnLED quality assurance to ISO9001:2008
Certificate of Conformity	Available on request - technical@saturnled.eu
Manufactured in Accordance to	British Standard - BS EN 60598 - 2 - 1

Datasheet generated from <http://www.electrika.com> last updated Thursday, February 22, 2018 10:04:39 AM