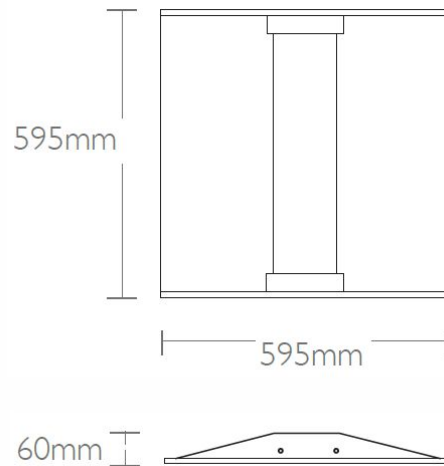


## INFINITY66/SATEM3

Infinity 34W 4000K IP20 600x600mm Emergency LED Troffer



### General Details

<b>Finish</b>	Anodised Aluminium Frame With Acrylic Cover
<b>Product Weight</b>	2.95kg
<b>Overall Dimensions</b>	595mm X 595mm X 90mm
<b>Carton Weight / Material</b>	3.4 kg / Cardboard
<b>Packaging &amp; Labelling Guidelines</b>	Saturn LED.eu - Generic labelling
<b>Bar Coding</b>	Saturn LED coding in accordance with EAN-12 & ITF-14
<b>IP Rating</b>	IP20
<b>Energy Rating</b>	A* - (Very Low Energy)

## Light Source

Rated Wattage	34W
Lumens	3400
Lumens Per Watt	92
Recommended Product Location	Indoor Commercial Lighting
Light Source Brand	Osram LED Chips
Colour Temperature	4000K
Lifespan	50,000 Hours
Lamp Working Temperature	<50°C
Beam Angle	120°
Photometric Data	Visit <a href="http://www.saturnled.eu">www.saturnled.eu</a> for full Photometric files
Emergency Duration	3 Hours
Lamp Code	N/A

## Electrical

Voltage	220-240V. 50 / 60Hz. AC.
Electrical Classification	Class III
Power Factor Correction (PFC)	>0.95@230V ac
Cabling Electrical Connections	Screw fix in terminal block
LED Driver	Constant Current LED Driver: Pri:220-240V ac/Sec:1050mA Max DC 33V
Recharge Period	24 hours

## Installation

Distance from Illuminated Object	0.5m
Method of Fix	Lay In Ceiling Grid / Suspended / Suitable Surface Mounting Kit
Instruction Sheet	Supplied with product

## Origin & Markets

---

<b>Country of Manufacture</b>	Designed & tested in Europe - Manufactured in China
-------------------------------	-----------------------------------------------------

---

<b>Intended Market</b>	Europe, Middle East & Australia 220 - 240Volt
------------------------	-----------------------------------------------

---

## Materials

---

<b>Main Housing Material</b>	Anodised Aluminium Frame With Acrylic Cover
------------------------------	---------------------------------------------

---

<b>Fixings Main Housing</b>	Steel screws
-----------------------------	--------------

---

<b>Front Shield</b>	Opal Diffuser
---------------------	---------------

---

## Approvals

---

<b>Warranty</b>	5 Year Warranty - For more information go to <a href="http://www.saturnled.eu/warranty">www.saturnled.eu/warranty</a>
-----------------	-----------------------------------------------------------------------------------------------------------------------

---

<b>Marks &amp; Symbols</b>	CE -- SELV -- RoHS -- EMC -- WEEE
----------------------------	-----------------------------------

---

<b>Quality Assurance System</b>	SaturnLED quality assurance to ISO9001:2008
---------------------------------	---------------------------------------------

---

<b>Certificate of Conformity</b>	Available on request - <a href="mailto:technical@saturnled.eu">technical@saturnled.eu</a>
----------------------------------	-------------------------------------------------------------------------------------------

---

<b>Manufactured in Accordance to</b>	British Standard - BS EN 60598 - 2 - 1
--------------------------------------	----------------------------------------

---

Datasheet generated from <http://www.electrika.com> last updated Wednesday, February 21, 2018 10:32:09 AM