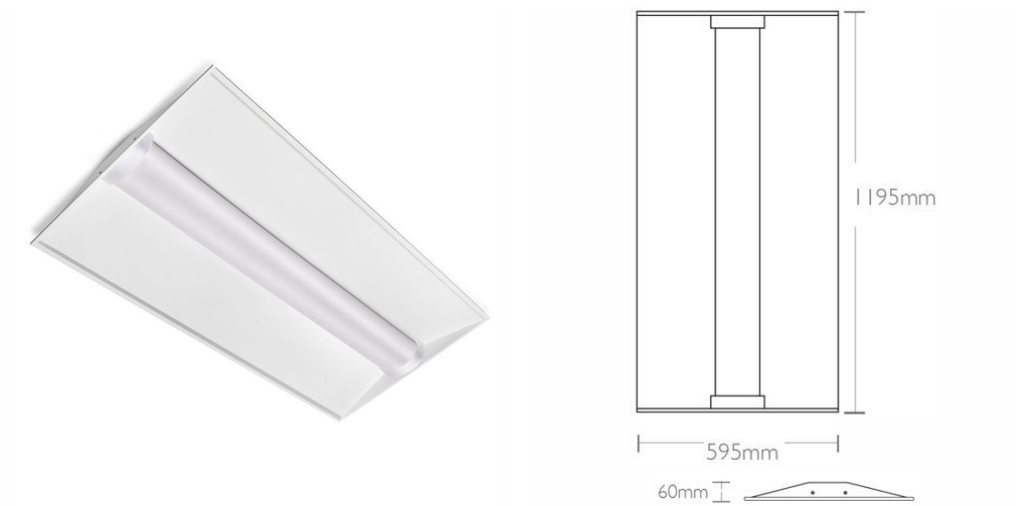


INFINITY126/SATEM3

Infinity 50W 4000K IP20 1200x600mm Emergency LED Troffer



General Details

Finish	Anodised Aluminium Frame With Acrylic Cover
Product Weight	6.0kg
Overall Dimensions	1195mm X 295mm X 90mm
Carton Weight / Material	5.5 kg / Cardboard
Packaging & Labelling Guidelines	Saturn LED.eu - Generic labelling
Bar Coding	Saturn LED coding in accordance with EAN-12 & ITF-14
IP Rating	IP20
Energy Rating	A* - (Very Low Energy)

Light Source

Rated Wattage	50W
Lumens	5500
Lumens Per Watt	110
Recommended Product Location	Indoor Commercial Lighting
Light Source Brand	Osram LED Chips
Colour Temperature	4000K
Lifespan	50,000 Hours
Lamp Working Temperature	<50°C
Beam Angle	120°
Photometric Data	Visit www.saturnled.eu for full Photometric files
Emergency Duration	3 Hours
Lamp Code	N/A

Electrical

Voltage	220-240V. 50 / 60Hz. AC.
Electrical Classification	Class III
Power Factor Correction (PFC)	>0.95@230V ac
Cabling Electrical Connections	Screw fix in terminal block
LED Driver	Constant Current LED Driver: Pri:220-240V ac/Sec:1050mA Max DC 33V
Recharge Period	24 hours

Installation

Distance from Illuminated Object	0.5m
Method of Fix	Lay In Ceiling Grid / Suspended / Suitable Surface Mounting Kit
Instruction Sheet	Supplied with product

Origin & Markets

Country of Manufacture Designed & tested in Europe - Manufactured in China

Intended Market Europe, Middle East & Australia 220 - 240Volt

Materials

Main Housing Material Anodised Aluminium Frame With Acrylic Cover

Fixings Main Housing Steel screws

Front Shield Opal Diffuser

Approvals

Warranty 5 Year Warranty - For more information go to www.saturnled.eu/warranty

Marks & Symbols CE -- SELV -- RoHS -- EMC -- WEEE

Quality Assurance System SaturnLED quality assurance to ISO9001:2008

Certificate of Conformity Available on request - technical@saturnled.eu

Manufactured in Accordance to British Standard - BS EN 60598 - 2 - 1

Datasheet generated from <http://www.electrika.com> last updated Wednesday, February 21, 2018 10:32:09 AM