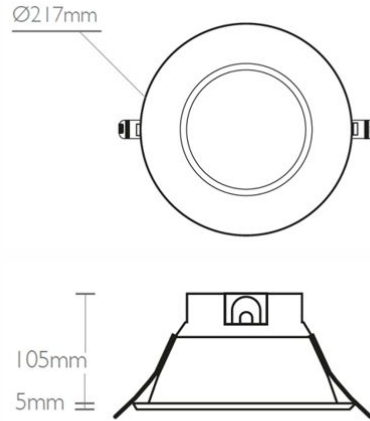


EMER4002

Emerald 30W 3000LM 4000K IP20 LED Low-Glare Circular Downlight



21W 30W

General Details

Finish Matt White - Polycarbonate Base / Pmma Cover

Product Weight 0.80kg

Overall Dimensions A 217mm X B 105mm - Cutout 200mm

Bar Coding Saturn LED coding in accordance with EAN-12 & ITF-14

IP Rating IP20

Energy Rating A* - (Very Low Energy)

Light Source

Wattage & Lumens 30W - 3000LM - 100 lm/W

Colour Temperature 4000K

CRI Ra Ra > 80

Lifespan 50,000 Hours

Lamp Working Temperature <50°C

Beam Angle 90°



Electrical

Voltage	220-240V. 50 / 60Hz. AC.
---------	--------------------------

Running Current (I)	0.1A
---------------------	------

Total Running Wattage (W)	30W
---------------------------	-----

Electrical Classification	Class I
---------------------------	---------

Power Factor Correction (PFC)	0.9
-------------------------------	-----

Cabling Electrical Connections	Screw fix in terminal block
--------------------------------	-----------------------------

LED Driver	Tridonic
------------	----------

Installation

Method of Fix	Recessed into a standard ceiling or ceiling tile
---------------	--

Recommended Working Temperature	Minimum Temp -10°C to Maximum Temp + 40°C
---------------------------------	---

Instruction Sheet	Supplied with product
-------------------	-----------------------

Origin & Markets

Country of Manufacture	Designed & tested in Europe - Manufactured in China
------------------------	---

Intended Market	Europe, Middle East & Australia 220 - 240Volt
-----------------	---

Materials

Main Housing Material	Polycarbonate Trim & Diffuser, Die-cast aluminium Body
-----------------------	--

Fixings Main Housing	Spring Clips Provided
----------------------	-----------------------

Front Shield	Clear Polycarbonate Diffuser
--------------	------------------------------

Approvals

Warranty	5 Year Warranty - For more information go to www.saturnled.eu/warranty
----------	---

Marks & Symbols	CE -- SELV -- RoHS -- EMC -- WEEE
-----------------	-----------------------------------

Quality Assurance System	SaturnLED quality assurance to ISO9001:2008
--------------------------	---

Manufactured in Accordance to	British Standard - BS EN 60598 - 2 - 1
-------------------------------	--

