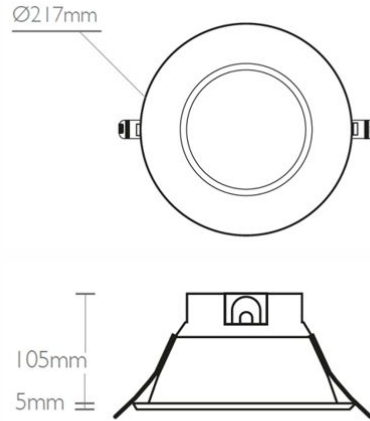


EMER3001

Emerald 21W 2100LM 3000K IP20 LED Low-Glare Circular Downlight



21W 30W

General Details

| | |
|---------------------------|--|
| Finish | Matt White - Polycarbonate Base / Pmma Cover |
| Product Weight | 0.80kg |
| Overall Dimensions | A 217mm X B 105mm - Cutout 200mm |
| Bar Coding | Saturn LED coding in accordance with EAN-12 & ITF-14 |
| IP Rating | IP20 |
| Energy Rating | A* - (Very Low Energy) |

Light Source

| | |
|---------------------------------|-------------------------|
| Wattage & Lumens | 21W - 2100LM - 100 lm/W |
| Colour Temperature | 3000K |
| CRI Ra | Ra > 80 |
| Lifespan | 50,000 Hours |
| Lamp Working Temperature | <50°C |
| Beam Angle | 90° |



Electrical

| | |
|---------|--------------------------|
| Voltage | 220-240V. 50 / 60Hz. AC. |
|---------|--------------------------|

| | |
|---------------------|------|
| Running Current (I) | 0.1A |
|---------------------|------|

| | |
|---------------------------|-----|
| Total Running Wattage (W) | 21W |
|---------------------------|-----|

| | |
|---------------------------|---------|
| Electrical Classification | Class I |
|---------------------------|---------|

| | |
|-------------------------------|-----|
| Power Factor Correction (PFC) | 0.9 |
|-------------------------------|-----|

| | |
|--------------------------------|-----------------------------|
| Cabling Electrical Connections | Screw fix in terminal block |
|--------------------------------|-----------------------------|

| | |
|------------|----------|
| LED Driver | Tridonic |
|------------|----------|

Installation

| | |
|---------------|--|
| Method of Fix | Recessed into a standard ceiling or ceiling tile |
|---------------|--|

| | |
|---------------------------------|---|
| Recommended Working Temperature | Minimum Temp -10°C to Maximum Temp + 40°C |
|---------------------------------|---|

| | |
|-------------------|-----------------------|
| Instruction Sheet | Supplied with product |
|-------------------|-----------------------|

Origin & Markets

| | |
|------------------------|---|
| Country of Manufacture | Designed & tested in Europe - Manufactured in China |
|------------------------|---|

| | |
|-----------------|---|
| Intended Market | Europe, Middle East & Australia 220 - 240Volt |
|-----------------|---|

Materials

| | |
|-----------------------|--|
| Main Housing Material | Polycarbonate Trim & Diffuser, Die-cast aluminium Body |
|-----------------------|--|

| | |
|----------------------|-----------------------|
| Fixings Main Housing | Spring Clips Provided |
|----------------------|-----------------------|

| | |
|--------------|------------------------------|
| Front Shield | Clear Polycarbonate Diffuser |
|--------------|------------------------------|

Approvals

| | |
|----------|---|
| Warranty | 5 Year Warranty - For more information go to www.saturnled.eu/warranty |
|----------|---|

| | |
|-----------------|-----------------------------------|
| Marks & Symbols | CE -- SELV -- RoHS -- EMC -- WEEE |
|-----------------|-----------------------------------|

| | |
|--------------------------|---|
| Quality Assurance System | SaturnLED quality assurance to ISO9001:2008 |
|--------------------------|---|

| | |
|-------------------------------|--|
| Manufactured in Accordance to | British Standard - BS EN 60598 - 2 - 1 |
|-------------------------------|--|



SATURNLED[®]

Simplified

