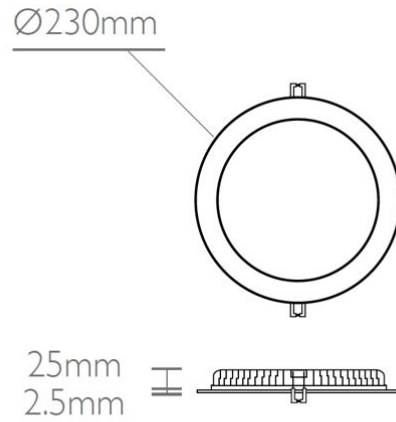


## DIAM4002

Diamond 30W 4000K IP44 LED Circular Downlight



### General Details

|                           |  |
|---------------------------|--|
| <b>Finish</b>             | Matt White   |
| <b>Product Weight</b>     | 1.2kg  |
| <b>Overall Dimensions</b> | A 230mm X B 25.0mm - Cutout 200mm                    |
| <b>Bar Coding</b>         | Saturn LED coding in accordance with EAN-12 & ITF-14 |
| <b>IP Rating</b>          | IP44   |
| <b>Energy Rating</b>      | A* - (Very Low Energy)                               |

### Light Source

|                                 |                        |
|---------------------------------|------------------------|
| <b>Wattage &amp; Lumens</b>     | 30W - 2875LM - 94 lm/W |
| <b>Colour Temperature</b>       | 4000K                  |
| <b>CRI Ra</b>                   | Ra > 80                |
| <b>Lifespan</b>                 | 50,000 Hours           |
| <b>Lamp Working Temperature</b> | <50°C                  |
| <b>Beam Angle</b>               | 90°                    |



## Electrical

|         |                          |
|---------|--------------------------|
| Voltage | 220-240V. 50 / 60Hz. AC. |
|---------|--------------------------|

|                     |       |
|---------------------|-------|
| Running Current (I) | 0.35A |
|---------------------|-------|

|                           |     |
|---------------------------|-----|
| Total Running Wattage (W) | 30W |
|---------------------------|-----|

|                           |           |
|---------------------------|-----------|
| Electrical Classification | Class III |
|---------------------------|-----------|

|                               |     |
|-------------------------------|-----|
| Power Factor Correction (PFC) | 0.9 |
|-------------------------------|-----|

|                                |                             |
|--------------------------------|-----------------------------|
| Cabling Electrical Connections | Screw fix in terminal block |
|--------------------------------|-----------------------------|

|            |          |
|------------|----------|
| LED Driver | Tridonic |
|------------|----------|

## Installation

|               |  |
|---------------|--|
| Method of Fix | Recessed into a standard ceiling or ceiling tile |
|---------------|--|

|                                 |   |
|---------------------------------|---|
| Recommended Working Temperature | Minimum Temp -10°C to Maximum Temp + 40°C |
|---------------------------------|---|

|                   |                       |
|-------------------|-----------------------|
| Instruction Sheet | Supplied with product |
|-------------------|-----------------------|

## Origin & Markets

|                        |   |
|------------------------|---|
| Country of Manufacture | Designed & tested in Europe - Manufactured in China |
|------------------------|---|

|                 |   |
|-----------------|---|
| Intended Market | Europe, Middle East & Australia 220 - 240Volt |
|-----------------|---|

## Materials

|                       |  |
|-----------------------|--|
| Main Housing Material | Polycarbonate Trim & Diffuser, Die-cast aluminium Body |
|-----------------------|--|

|                      |                       |
|----------------------|-----------------------|
| Fixings Main Housing | Spring Clips Provided |
|----------------------|-----------------------|

|              |                              |
|--------------|------------------------------|
| Front Shield | Clear Polycarbonate Diffuser |
|--------------|------------------------------|

## Approvals

|          |   |
|----------|---|
| Warranty | 5 Year Warranty - For more information go to <a href="http://www.saturnled.eu/warranty">www.saturnled.eu/warranty</a> |
|----------|---|

|                 |                                   |
|-----------------|-----------------------------------|
| Marks & Symbols | CE -- SELV -- RoHS -- EMC -- WEEE |
|-----------------|-----------------------------------|

|                          |   |
|--------------------------|---|
| Quality Assurance System | SaturnLED quality assurance to ISO9001:2008 |
|--------------------------|---|

|                               |  |
|-------------------------------|--|
| Manufactured in Accordance to | British Standard - BS EN 60598 - 2 - 1 |
|-------------------------------|--|



**SATURNLED**<sup>®</sup>

Simplified

