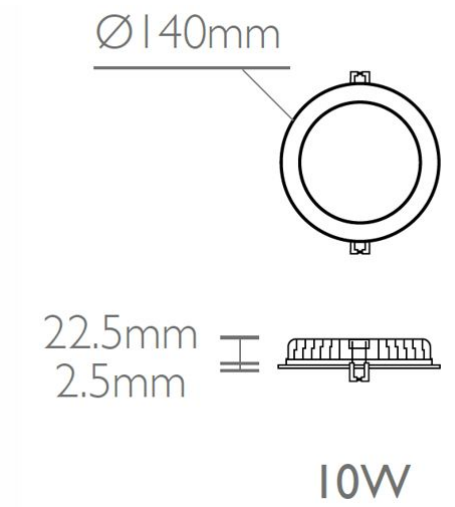


DIAM1002

Diamond 10W 4000K IP44 LED Circular Downlight



General Details

Finish	Matt White
Product Weight	0.25kg
Overall Dimensions	A 140mm X B 22.5mm - Cutout 125mm
Bar Coding	Saturn LED coding in accordance with EAN-12 & ITF-14
IP Rating	IP44
Energy Rating	A* - (Very Low Energy)

Light Source

Wattage & Lumens	10W - 895LM - 88 lm/W
Colour Temperature	4000K
CRI Ra	Ra > 80
Lifespan	50,000 Hours
Lamp Working Temperature	<50°C
Beam Angle	90°



Electrical

Voltage	220-240V. 50 / 60Hz. AC.
Running Current (I)	0.35A
Total Running Wattage (W)	10W
Electrical Classification	Class III
Power Factor Correction (PFC)	0.9
Cabling Electrical Connections	Screw fix in terminal block
LED Driver	Tridonic

Installation

Method of Fix	Recessed into a standard ceiling or ceiling tile
Recommended Working Temperature	Minimum Temp -10°C to Maximum Temp + 40°C
Instruction Sheet	Supplied with product

Origin & Markets

Country of Manufacture	Designed & tested in Europe - Manufactured in China
Intended Market	Europe, Middle East & Australia 220 - 240Volt

Materials

Main Housing Material	Polycarbonate Trim & Diffuser, Die-cast aluminium Body
Fixings Main Housing	Spring Clips Provided
Front Shield	Clear Polycarbonate Diffuser

Approvals

Warranty	5 Year Warranty - For more information go to www.saturnled.eu/warranty
Marks & Symbols	CE -- SELV -- RoHS -- EMC -- WEEE
Quality Assurance System	SaturnLED quality assurance to ISO9001:2008
Manufactured in Accordance to	British Standard - BS EN 60598 - 2 - 1

