

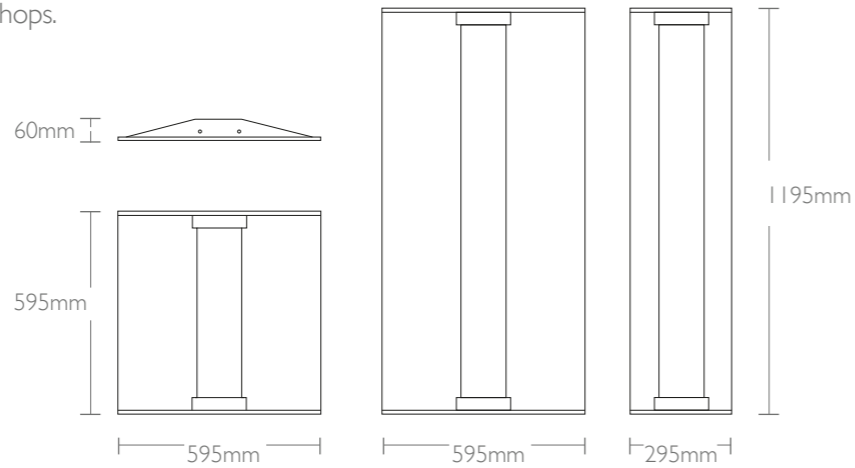
# INFINITY

## LED TROFFER

Our LED troffer panels have been designed and manufactured using the latest LED technology and components to offer a stylish solution. They provide savings over traditional fittings through their simplicity and ease of installation. Often installed in commercial environments such as offices, meeting rooms and shops.

### Key Features

- 50,000 hour lifespan
- IP20
- Matt white diffuser
- Anodised aluminium frame
- Emergency option available
- Zero maintenance



### PRODUCT CODE

### DESCRIPTION

		LUMEN OUTPUT	LUMEN/WATT	COLOUR TEMP	IP RATING
INFINITY66	34W (600X600) WHITE TROFFER	3400	92	4K	IP20
INFINITY126	50W (1200X600) WHITE TROFFER	5500	110	4K	IP20
INFINITY123	34W (1200X300) WHITE TROFFER	3400	101	4K	IP20

/SATEM3  
/DALI

SATURN UNIVERSAL EMERGENCY PACK  
ADD /DALI TO THE END OF ANY PRODUCT CODES FOR DALI DIMMABLE

Powered by **TRIDONIC**

- FIVE YEAR WARRANTY**
- IP20**
- DALI DIMMABLE AVAILABLE**
- EMERGENCY AVAILABLE**

