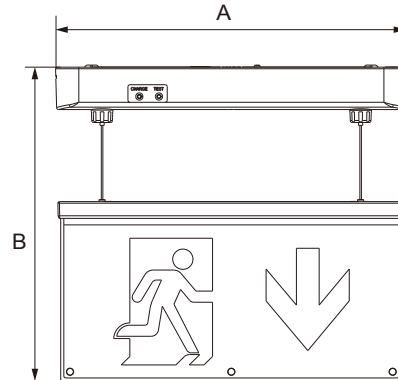


PHO2001

Phoenix 3W 6500K IP20 LED Emergency Hanging Exit Sign



General Details

Finish	Matt White Trim & Polycarbonate Lens
Product Weight	0.2kg
Overall Dimensions	A 340mm X B 174mm X C 45mm
Bar Coding	Saturn LED coding in accordance with EAN-12 & ITF-14
IP Rating	IP20
Energy Rating	A* - (Very Low Energy)

Light Source

Wattage & Lumens	3W - 20LM
Colour Temperature	6500K
CRI Ra	Ra > 80
Lifespan	30,000 Hours
Lamp Working Temperature	<50°C
Beam Angle	90°



Electrical

Voltage	220-240V. 50 / 60Hz. AC.
---------	--------------------------

Running Current (I)	0.04A
---------------------	-------

Total Running Wattage (W)	3W
---------------------------	----

Electrical Classification	Class II
---------------------------	----------

Power Factor Correction (PFC)	> 0.7
-------------------------------	-------

Cabling Electrical Connections	Screw fix in terminal block
--------------------------------	-----------------------------

Battery	Ni-CD Battery
---------	---------------

Installation

Method of Fix	Surface mounted on suitable substrate / Hanging Fixture
---------------	---

Recommended Working Temperature	Minimum Temp -10°C to Maximum Temp + 40°C
---------------------------------	---

Instruction Sheet	Supplied with product
-------------------	-----------------------

Origin & Markets

Country of Manufacture	Designed & tested in Europe - Manufactured in China
------------------------	---

Intended Market	Europe, Middle East & Australia 220 - 240Volt
-----------------	---

Materials

Main Housing Material	Polycarbonate Body & Polycarbonate Legend
-----------------------	---

Fixings Main Housing	
----------------------	--

Front Shield	Clear Polycarbonate Diffuser
--------------	------------------------------

Approvals

Warranty	4 Year Product / 2 Year Battery - For more information go to www.saturnled.eu/warranty
----------	---

Marks & Symbols	CE -- SELV -- RoHS -- EMC -- WEEE
-----------------	-----------------------------------

Quality Assurance System	SaturnLED quality assurance to ISO9001:2008
--------------------------	---

Manufactured in Accordance to	British Standard - BS EN 60598 - 2 - 1
-------------------------------	--



SATURNLED[®]

Simplified

