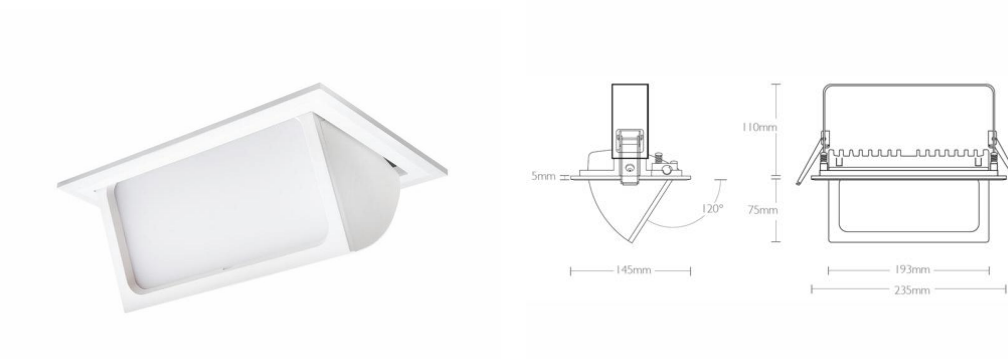


JT/35/SMD

Jetto 35W 4000K IP20 Opal Scoop Display Lighting



General Details

Finish	Matt White - Aluminium Base
Product Weight	1.22kg
Overall Dimensions	235mm X 145mm X 116mm - 225 X 135mm Cut-out
Carton Weight / Material	0.30 kg / Corrugated Cardboard
Packaging Sizes / Packed Weight	Height 215mm, Height 120mm, Width 125mm
Packaging & Labelling Guidelines	Saturn LED.eu - Generic labelling
Bar Coding	Saturn LED coding in accordance with EAN-12 & ITF-14
IP Rating	IP20
Energy Rating	A* - (Very Low Energy)

Light Source

Rated Wattage	35W
Lumens	3400
Lumens Per Watt	98
Recommended Product Location	Indoor Commercial Lighting
Light Source Brand	Epistar LED Chips
Colour Temperature	4000K
CRI Ra	Ra > 80
Lifespan	30,000 Hours
Lamp Working Temperature	<50°C
Beam Angle	110°
Photometric Data	Visit www.saturnled.eu for full Photometric files
Lamp Code	N/A

Electrical

Voltage	220-240V. 50 / 60Hz. AC.
Running Current (I)	600mA constant current
Total Running Wattage (W)	35W* (Includes light source and control gear)
Electrical Classification	Class II
Power Factor Correction (PFC)	0.97
Cabling Electrical Connections	Screw fix in terminal block
LED Driver	Constant Current LED Driver Pri. 240V ac / Sec:600mA Max DC50V

Installation

Distance from Illuminated Object	0.5m
Method of Fix	Recessed in ceiling aperture. H/Duty ceiling side clips.
Recommended Working Temperature	Minimum Temp -10°C to Maximum Temp + 40°C
Instruction Sheet	Supplied with product

Origin & Markets

Country of Manufacture	Designed & tested in Europe - Manufactured in China
Intended Market	Europe, Middle East & Australia 220 - 240Volt

Materials

Main Housing Material	Die-Cast Aluminium
Fixings Main Housing	H/Duty Sprung Loaded spring clips
Front Shield	3mm - Tempered glass

Approvals

Warranty	5 Year Warranty - For more information go to www.saturnled.eu/warranty
Marks & Symbols	CE -- SELV -- RoHS -- EMC -- WEEE
Quality Assurance System	SaturnLED quality assurance to ISO9001:2008
Certificate of Conformity	Available on request - technical@saturnled.eu
Manufactured in Accordance to	British Standard - BS EN 60598 - 2 - 1

Datasheet generated from <http://www.electrika.com> last updated Wednesday, February 21, 2018 10:32:07 AM