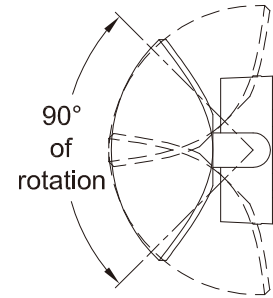
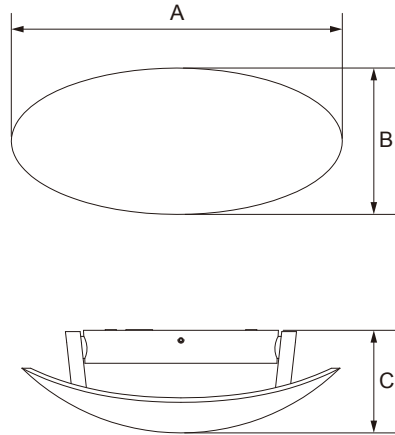


IMPACT2001

Impact 9W 230LM 4000K IP54 Adjustable Anthracite LED Wall Light



General Details

Finish	Anthracite Die Cast Aluminum
Product Weight	1.4kg
Overall Dimensions	A 260m X B 114mm x C 84mm
Bar Coding	Saturn LED coding in accordance with EAN-12 & ITF-14
IP Rating	IP54
Energy Rating	A* - (Very Low Energy)

Light Source

Wattage & Lumens	9W - 230 - 26 lm/W
Colour Temperature	4000K
CRI Ra	Ra > 80
Lifespan	30,000 Hours
Lamp Working Temperature	<50°C
Beam Angle	90°



Electrical

Voltage	220-240V. 50 / 60Hz. AC.
---------	--------------------------

Running Current (I)	0.1A
---------------------	------

Total Running Wattage (W)	9W
---------------------------	----

Electrical Classification	Class I
---------------------------	---------

Power Factor Correction (PFC)	0.9
-------------------------------	-----

Cabling Electrical Connections	Screw fix in terminal block
--------------------------------	-----------------------------

LED Driver	Meanwell
------------	----------

Installation

Method of Fix	Pole or Wall Mounting
---------------	-----------------------

Recommended Working Temperature	Minimum Temp -10°C to Maximum Temp + 40°C
---------------------------------	---

Instruction Sheet	Supplied with product
-------------------	-----------------------

Origin & Markets

Country of Manufacture	Designed & tested in Europe - Manufactured in China
------------------------	---

Intended Market	Europe, Middle East & Australia 220 - 240Volt
-----------------	---

Materials

Main Housing Material	Die Cast Aluminium Black Powder Coated Housing
-----------------------	--

Fixings Main Housing	Zinc plated screws (Internal)
----------------------	-------------------------------

Front Shield	Toughened Glass / Polycarbonate
--------------	---------------------------------

Approvals

Warranty	3 Year Warranty - For more information go to www.saturnled.eu/warranty
----------	---

Marks & Symbols	CE -- SELV -- RoHS -- EMC -- WEEE
-----------------	-----------------------------------

Quality Assurance System	SaturnLED quality assurance to ISO9001:2008
--------------------------	---

Manufactured in Accordance to	British Standard - BS EN 60598 - 2 - 1
-------------------------------	--



SATURNLED[®]

Simplified

