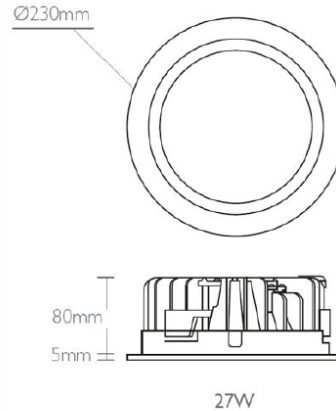




BONO2001

Bono 27W 3000K IP44 LED Circular Downlight



General Details

Finish Matt White - Aluminium Base / Pmma Cover

Product Weight 1.11kg

Overall Dimensions A 230mm X B 85mm - Cutout 200mm

Bar Coding Saturn LED coding in accordance with EAN-12 & ITF-14

IP Rating IP44

Energy Rating A* - (Very Low Energy)

Light Source

Wattage & Lumens 27W - 2330LM - 85 lm/W

Colour Temperature 3000K

CRI Ra Ra > 80

Lifespan 30,000 Hours

Lamp Working Temperature <50°C

Beam Angle 90°



Electrical

Voltage	220-240V. 50 / 60Hz. AC.
Running Current (I)	0.35A
Total Running Wattage (W)	27W
Electrical Classification	Class III
Power Factor Correction (PFC)	0.9
Cabling Electrical Connections	Screw fix in terminal block
LED Driver	Tridonic

Installation

Method of Fix	Recessed into a standard ceiling or ceiling tile
Recommended Working Temperature	Minimum Temp -10°C to Maximum Temp + 40°C
Instruction Sheet	Supplied with product

Origin & Markets

Country of Manufacture	Designed & tested in Europe - Manufactured in China
Intended Market	Europe, Middle East & Australia 220 - 240Volt

Materials

Main Housing Material	Polycarbonate Trim & Diffuser, Die-cast aluminium Body
Fixings Main Housing	Spring Clips Provided
Front Shield	Clear Polycarbonate Diffuser

Approvals

Warranty	3 Year Warranty - For more information go to www.saturnled.eu/warranty
Marks & Symbols	CE -- SELV -- RoHS -- EMC -- WEEE
Quality Assurance System	SaturnLED quality assurance to ISO9001:2008
Manufactured in Accordance to	British Standard - BS EN 60598 - 2 - 1

